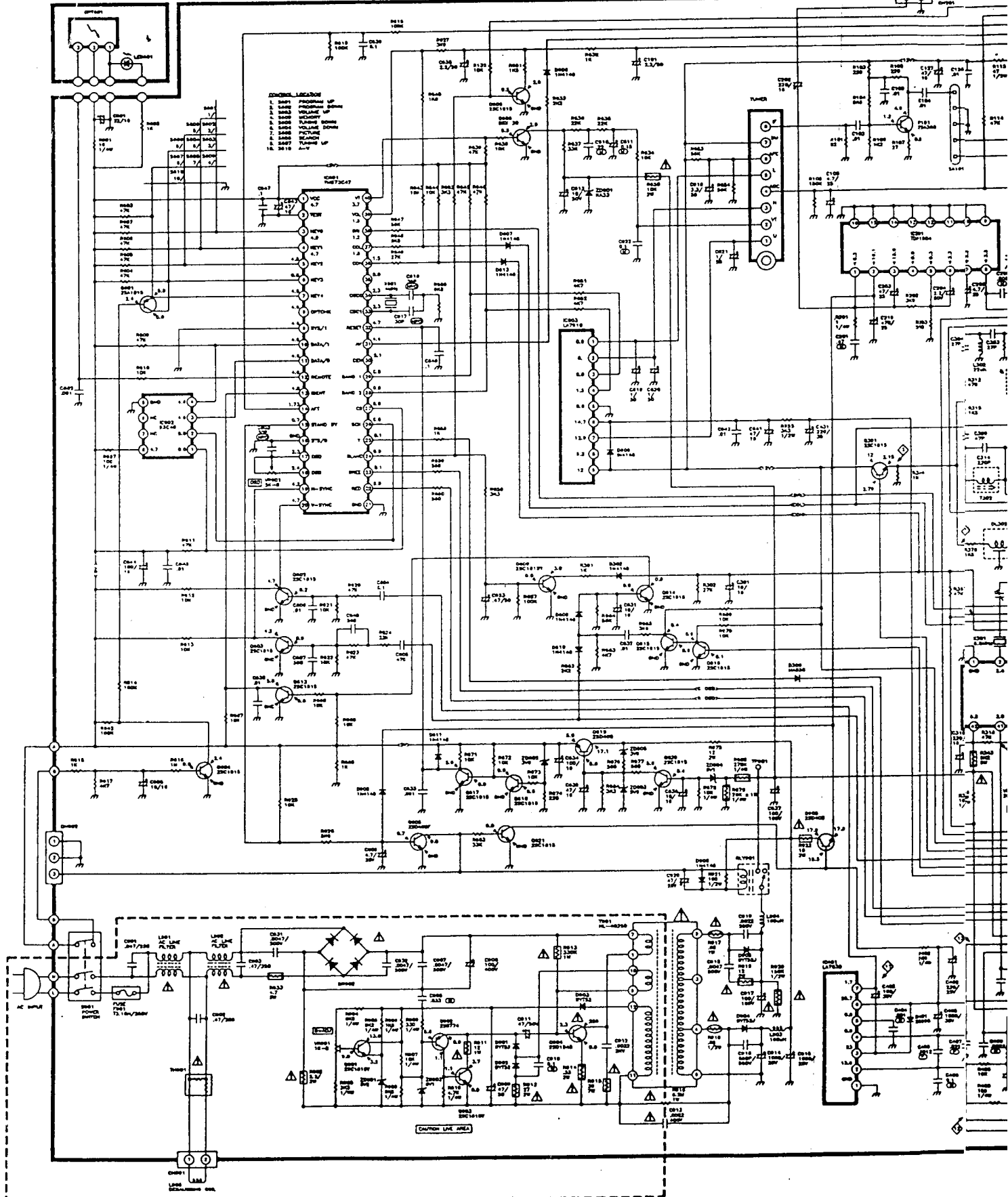


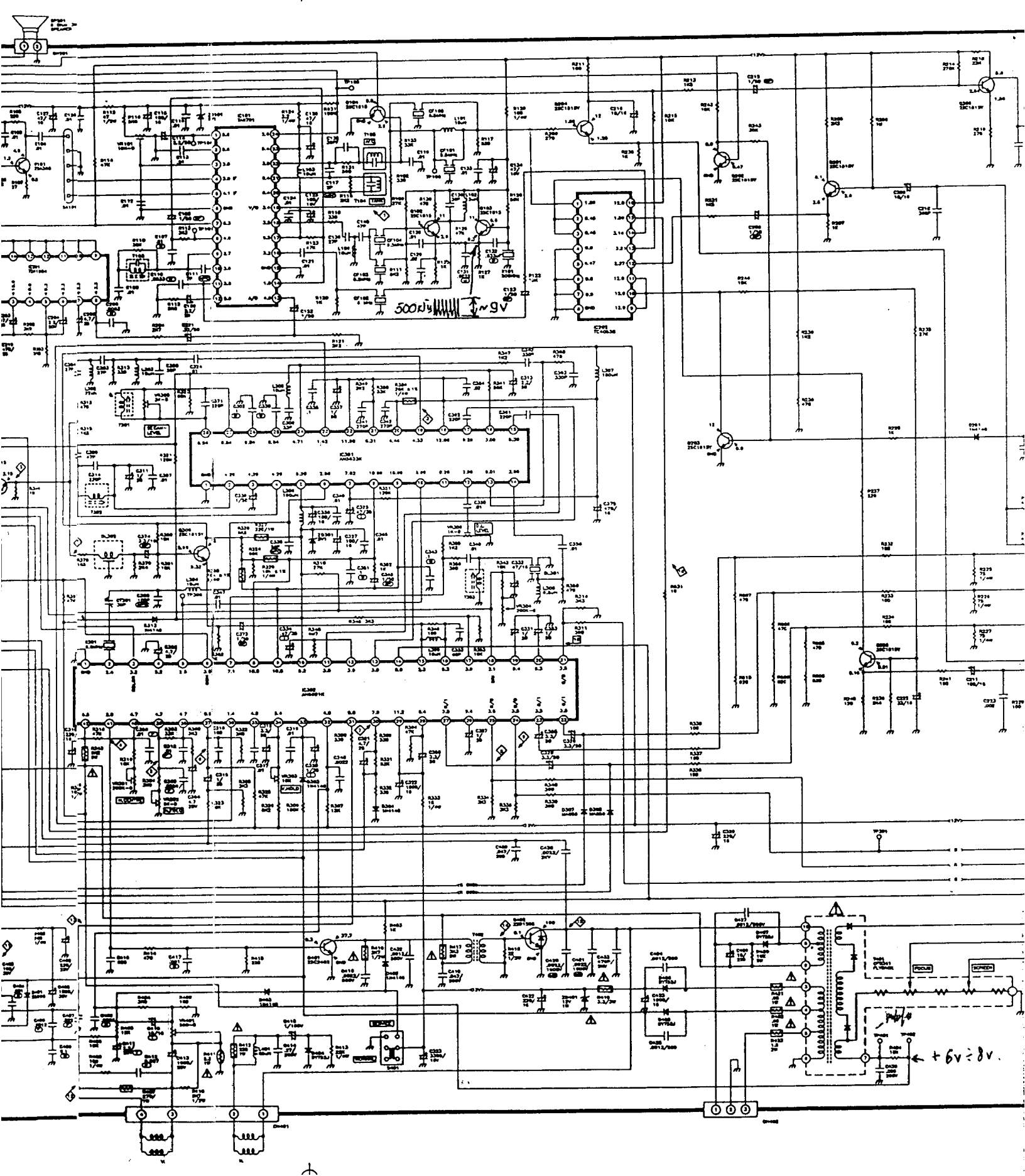
# SCHEMATIC DIAGRAM FOR PAL SECAM B/G D/K SYSTEM

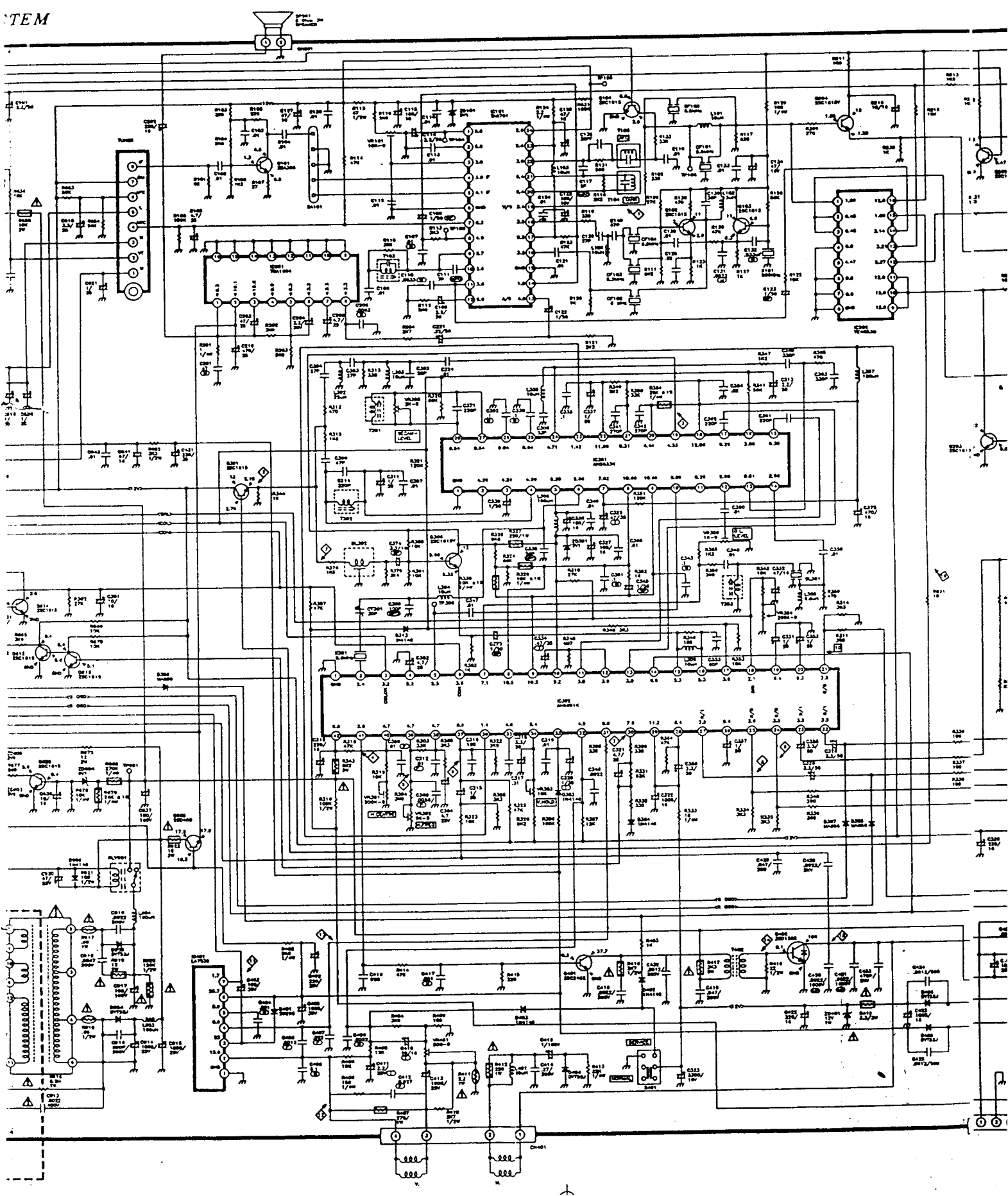
RECEIVE BOARD      MAIN BOARD

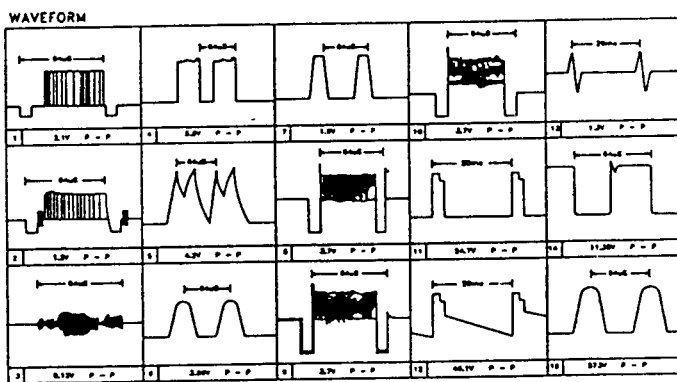
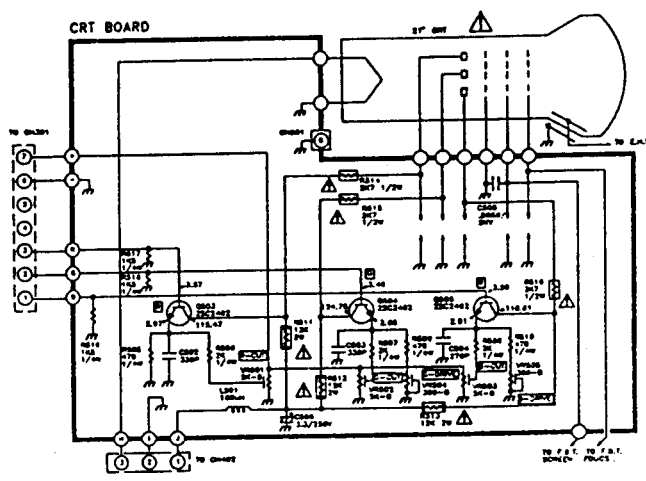
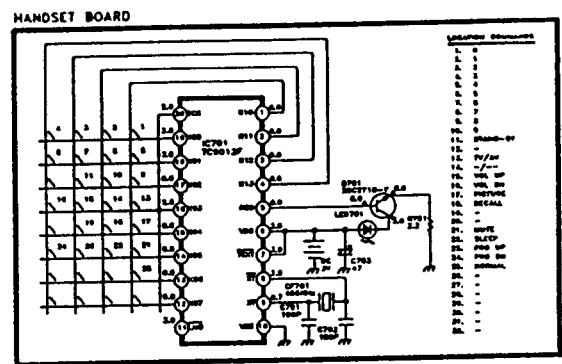
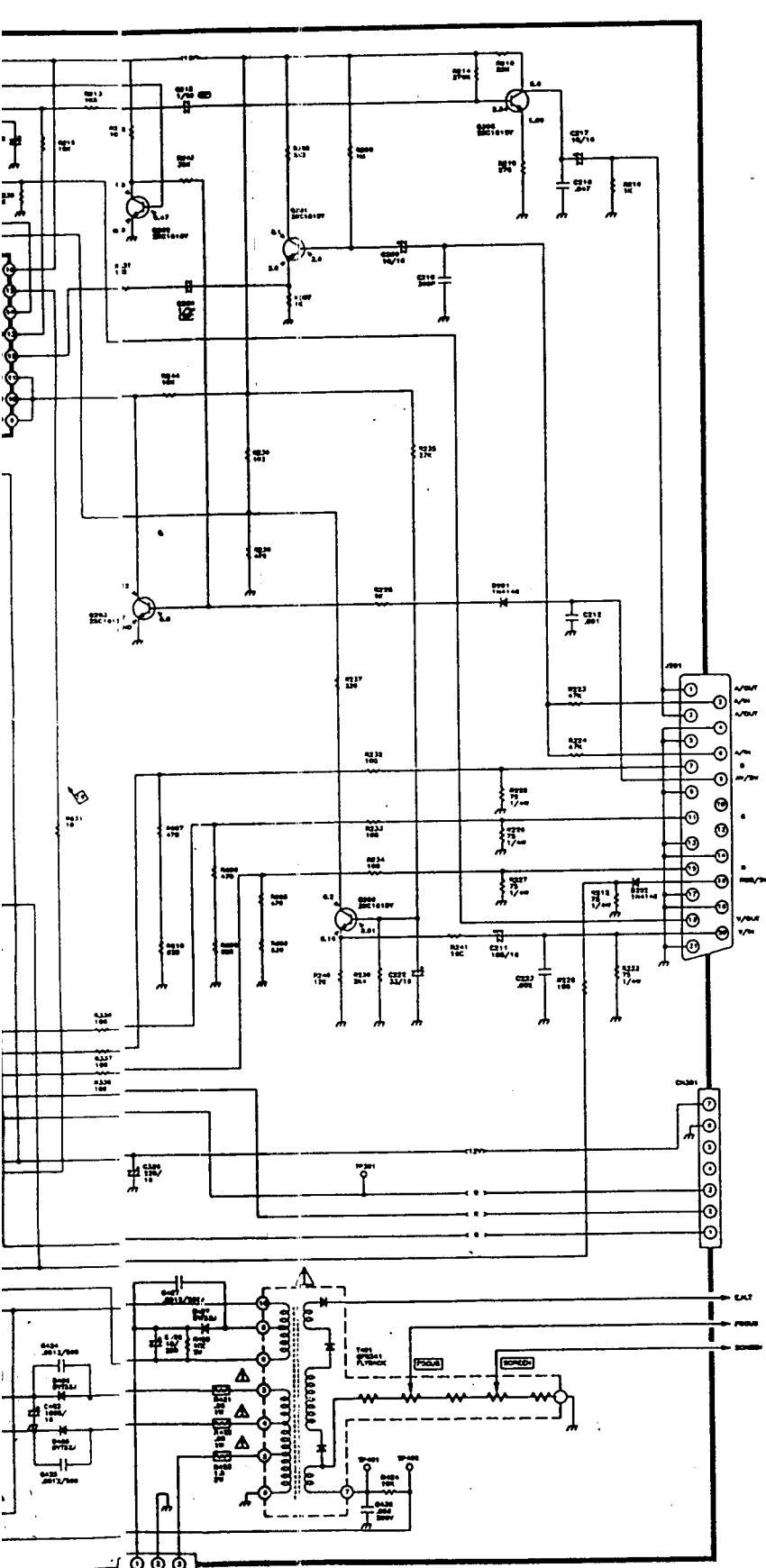


DRAWING NO. : 8321-07 (BF) (AKAI)

REV. NO. : 0







- NOTE:
- (1) ALL CAPACITORS ARE IN  $\mu$ F UNLESS OTHERWISE NOTED.
  - (2) CAPACITOR NOT SPECIFICALLY DESIGNATED ARE CERAMIC CAPACITORS.
  - (3) ALL RESISTORS ARE IN OHM 1/10 WATT UNLESS OTHERWISE NOTED.
  - (4) RESISTOR NOT SPECIFICALLY DESIGNATED ARE CARBON FILM RESISTORS.
  - (5) DC VOLTAGE ARE MEASURED FROM POINTS INDICATED TO THE CIRCUIT GROUND WITH A DIGITAL MULTIMETER TEST.
  - (6) WAVEFORMS ARE TAKEN WITH SETTING CONTROLS TO A NORMAL CONDITIONS (COLOR PHILIPS PATTERN).
  - (7) THIS CIRCUIT DIAGRAM IS SUBJECT TO CHANGE WITHOUT PRIOR NOTICE.
  - (8)  $\triangle$  SAFETY CRITICAL DEVICE.

CIRCUIT SYMBOLS			
RESISTOR		CAPACITOR	
	RESISTOR		CAPACITOR
	NON-POLARIZABLE		ELECTROLYTIC
	POLARIZABLE		POLYPROPYLENE
	FILM		MILAR
	OHMITIC		WETTABLE POLYMER
	METAL OXIDE		POLYESTER FILM

**KONG WAH VIDEO ENGINEERING LTD.**

TITLE: SCHEMATIC DIAGRAM

MODEL: K-8821BF      SYSTEM: PAL SECAM

DRAW NO.: 8321-07      PAGE 1 OF 1

DRAWN BY:      APPROVED:

DATE: OCT 10, 88      REV NO.: 0