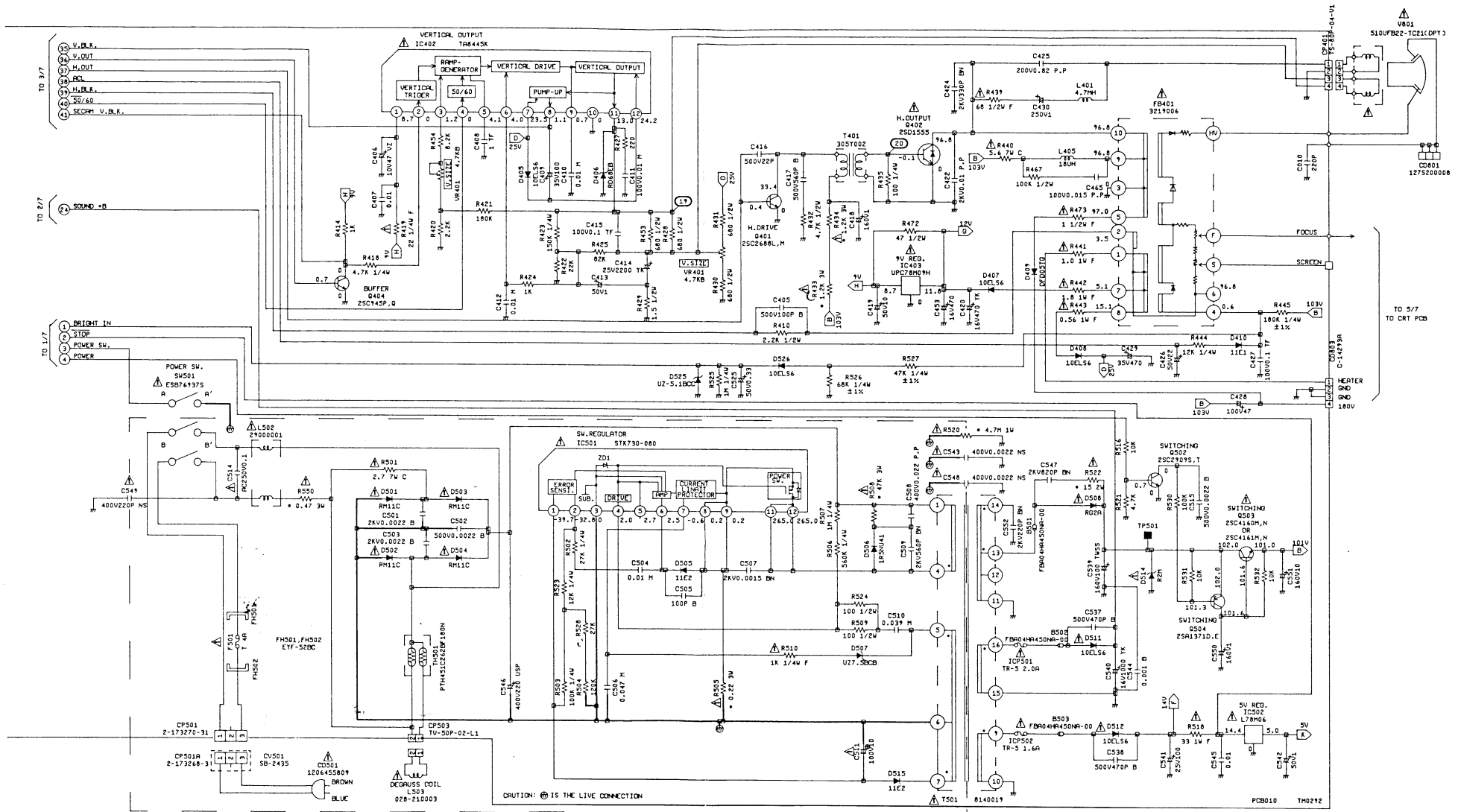


DWG. NO. F-7140Z2 2/7

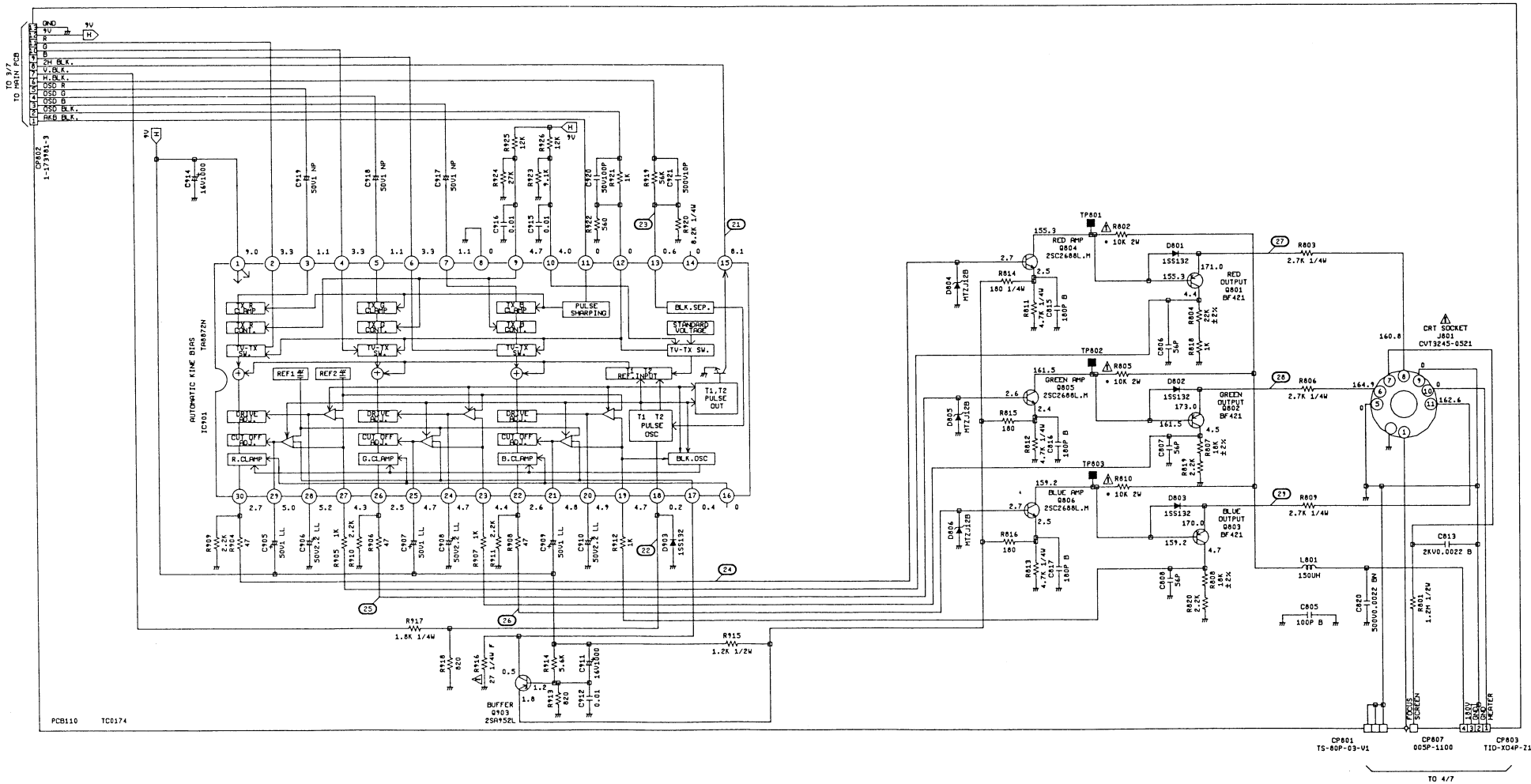
3A84503A X

NOTE: THIS SCHEMATIC DIAGRAM IS THE LATEST AT THE TIME OF PRINTING AND SUBJECT TO CHANGE WITHOUT NOTICE.

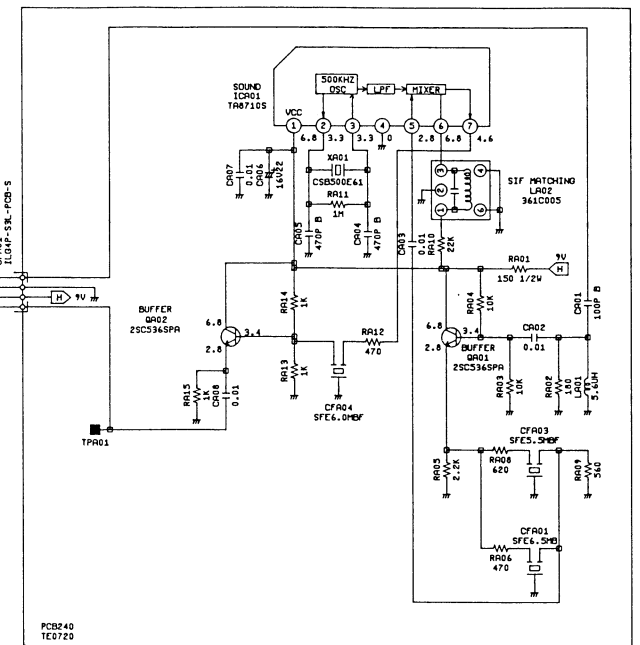
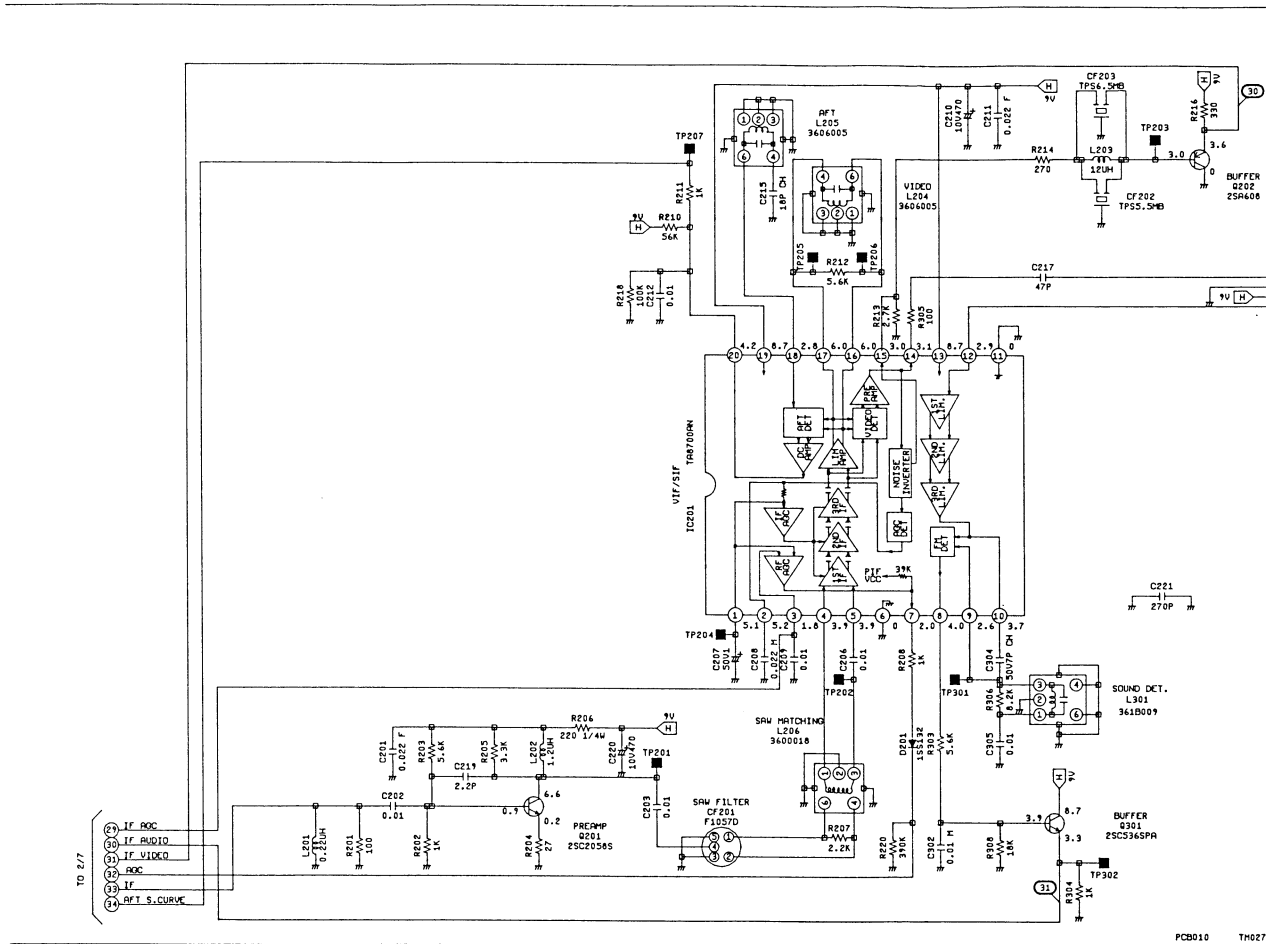


DWG. NO. F-714024 4/7

CAUTION: SINCE THESE PARTS MARKED BY ⚠ ARE CRITICAL FOR SAFETY, USE ONES DESCRIBED ON PARTS LIST ONLY.



PCB110 TC0174



TO 3/7
TO MAIN PCB

