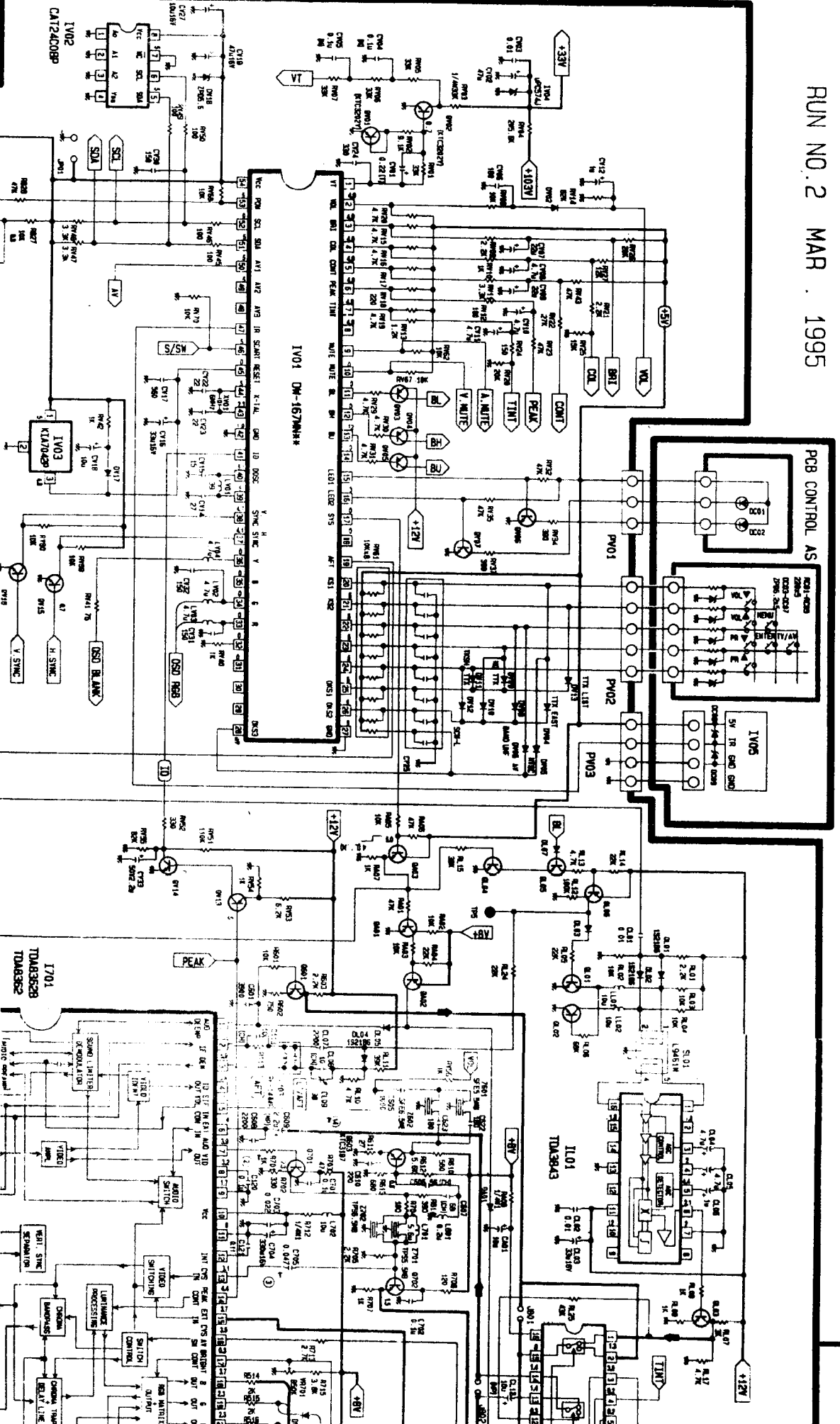
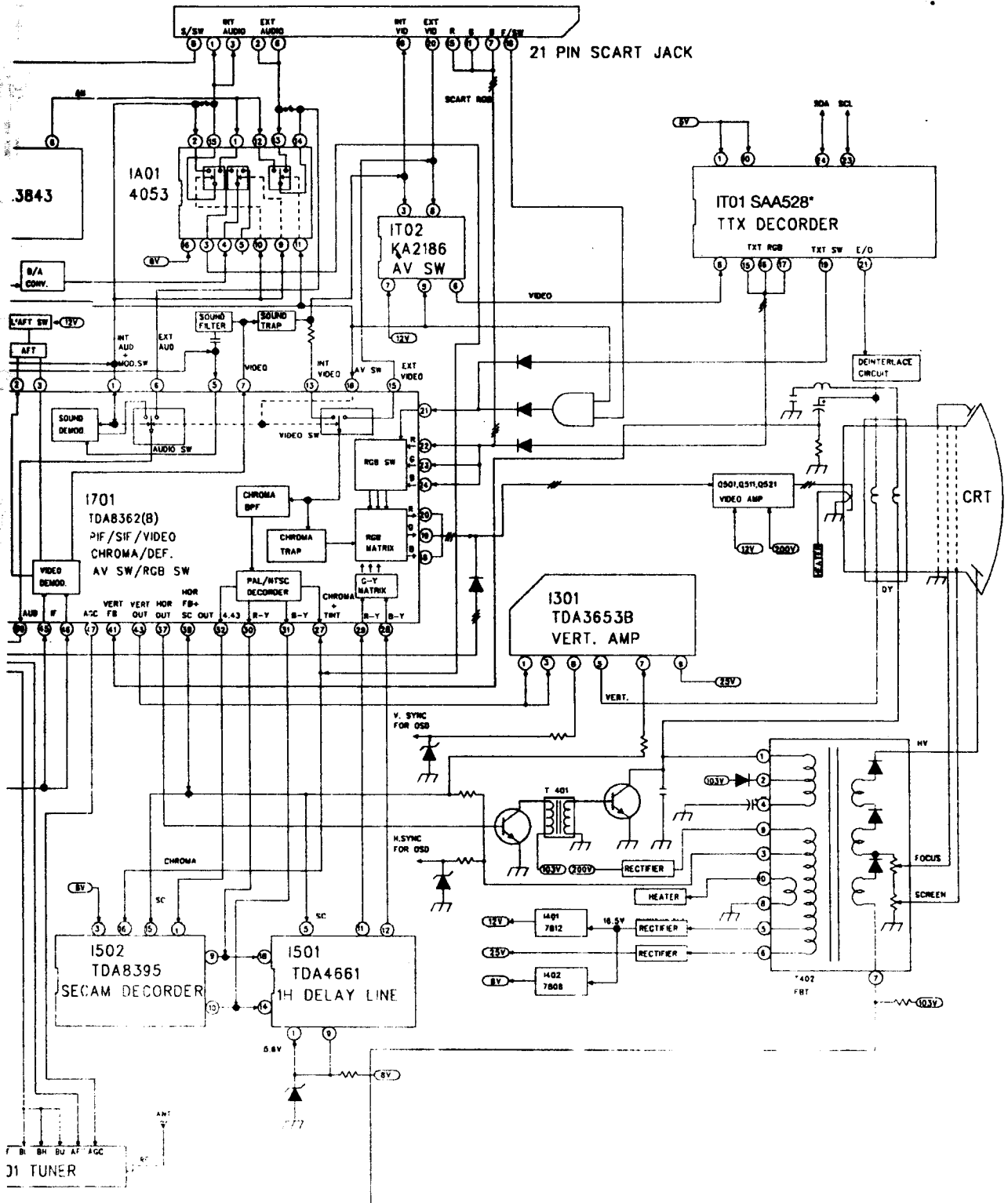


CP-330 CHASSIS SHEMATIC DIAGRAM

RUN NO.2 MAR 1995





21 PIN SCART JACK

IT01 SAA528^{*}
TTX DECODER

3843

IA01
4053

IT02
KA2186
AV SW

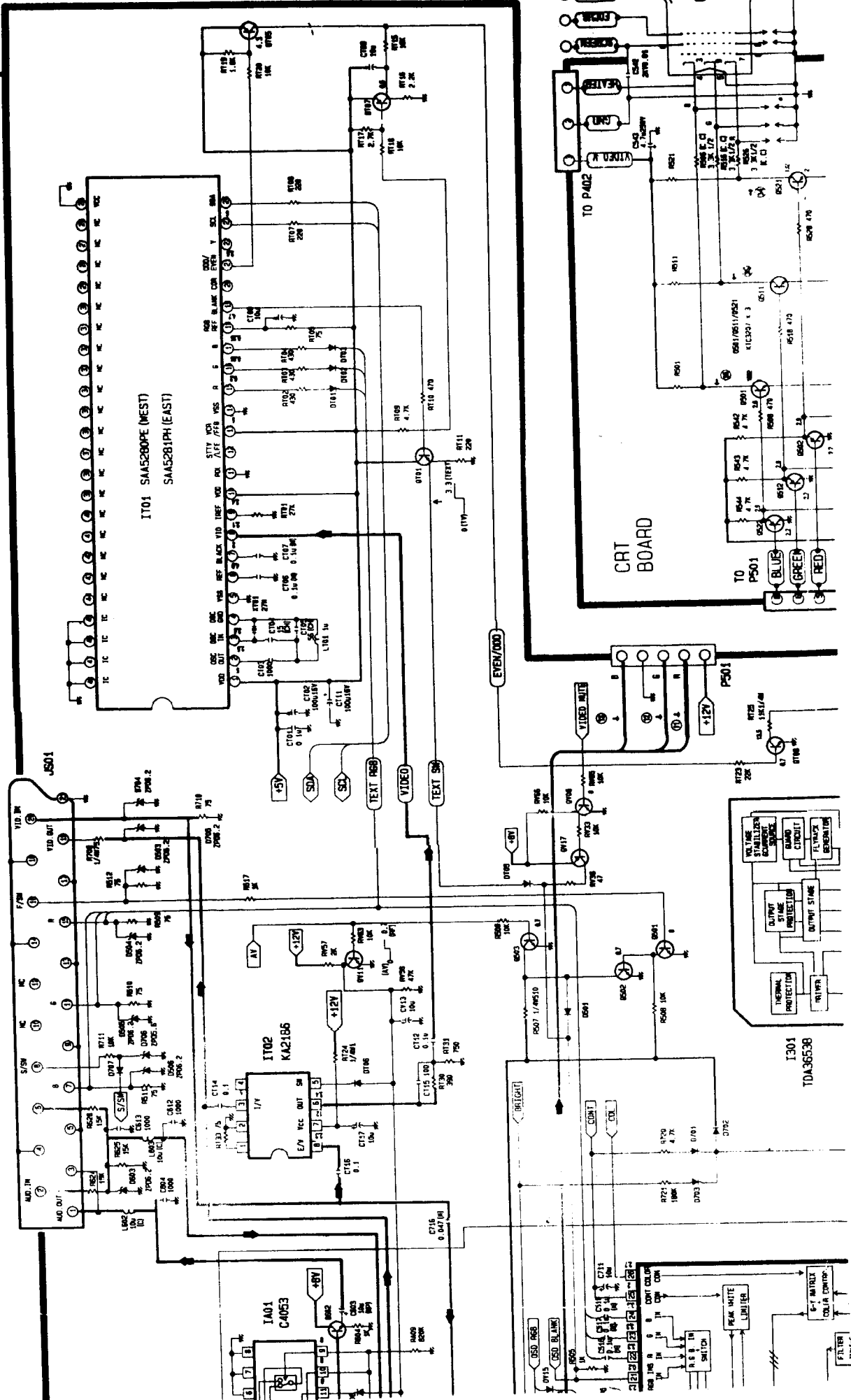
1701
TDA8362(B)
PIF/SIF/VIDEO
CHROMA/DEF.
AV SW/RGB SW

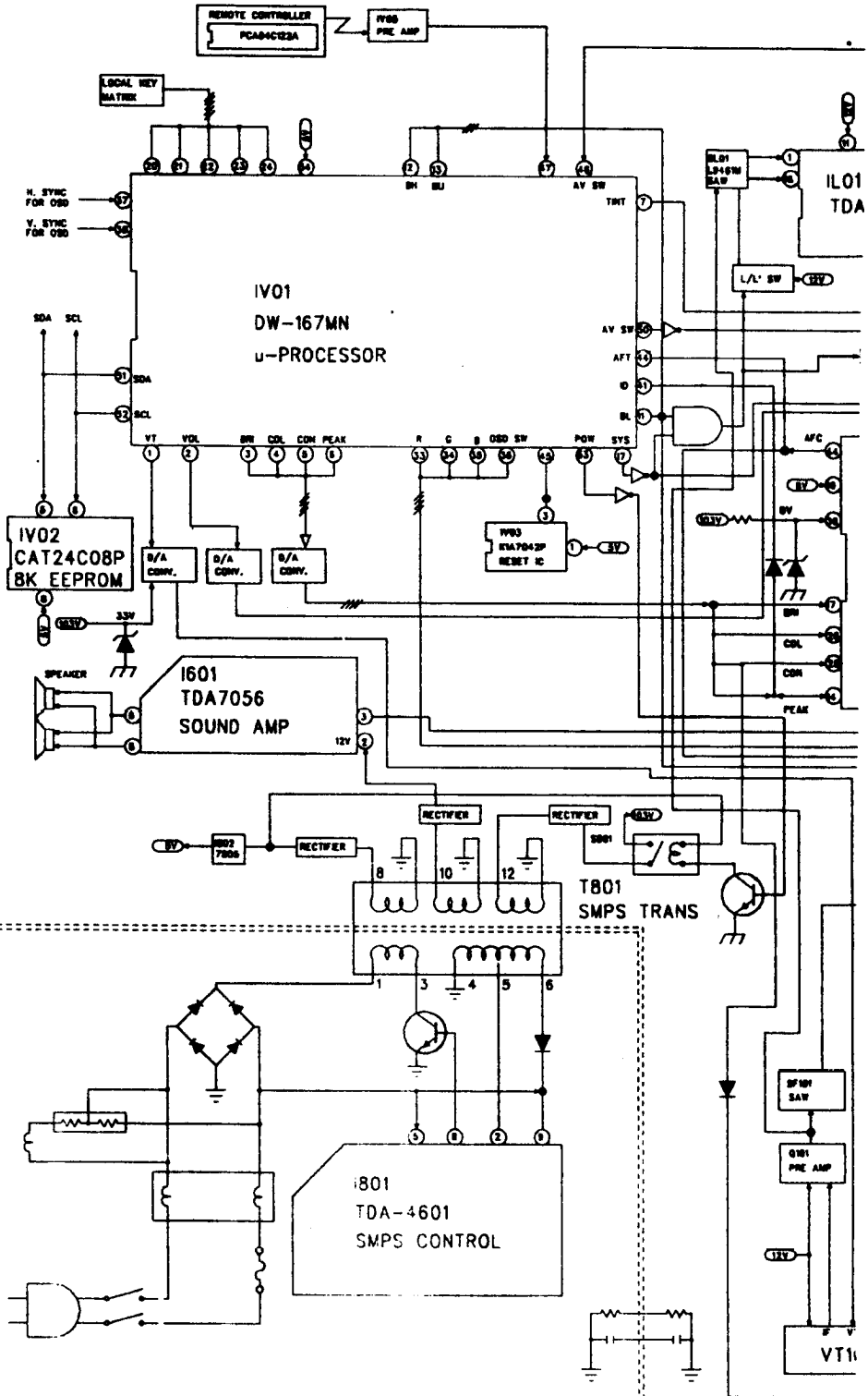
1301
TDA3653B
VERT. AMP

1502
TDA8395
SECAM DECODER

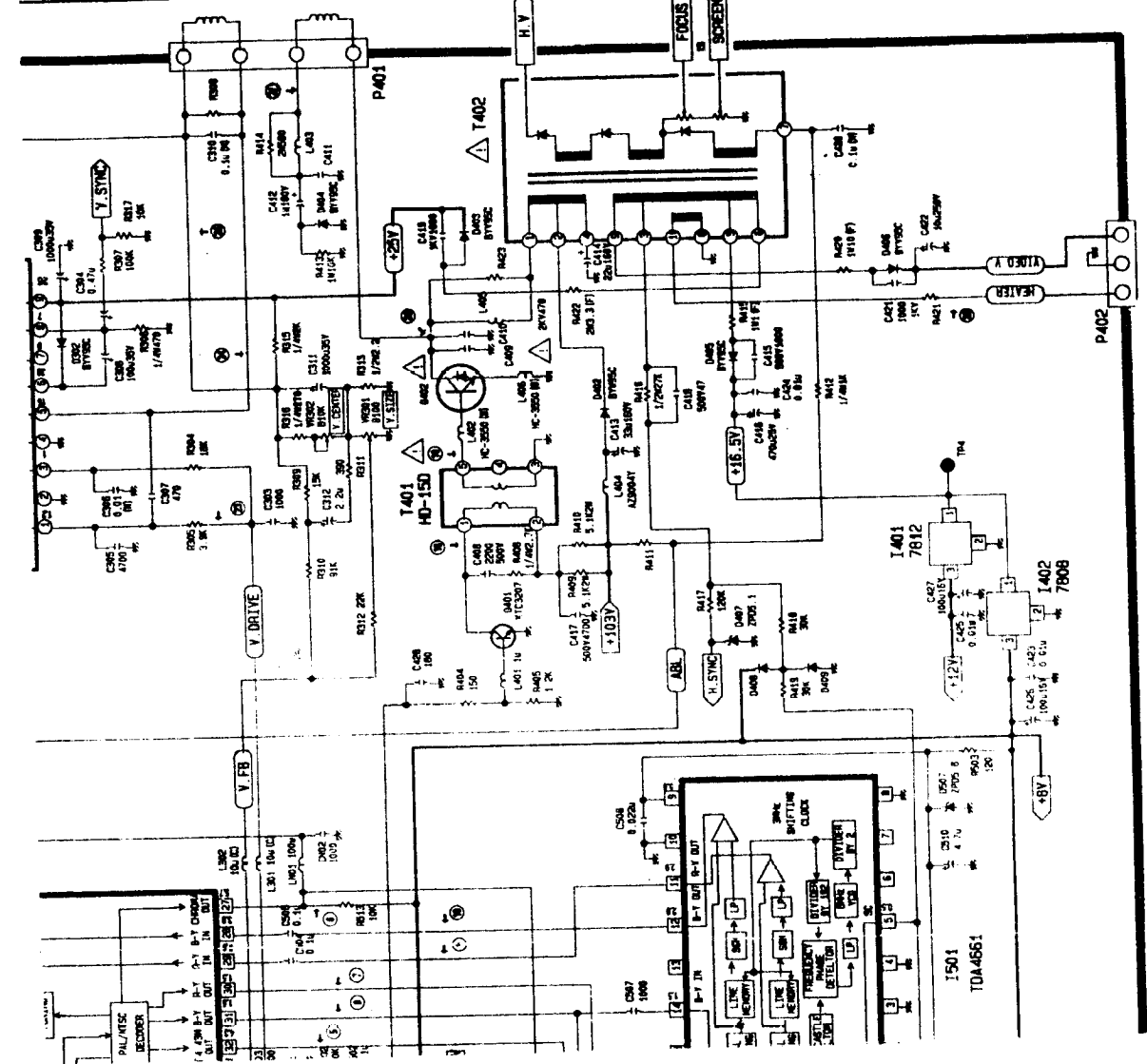
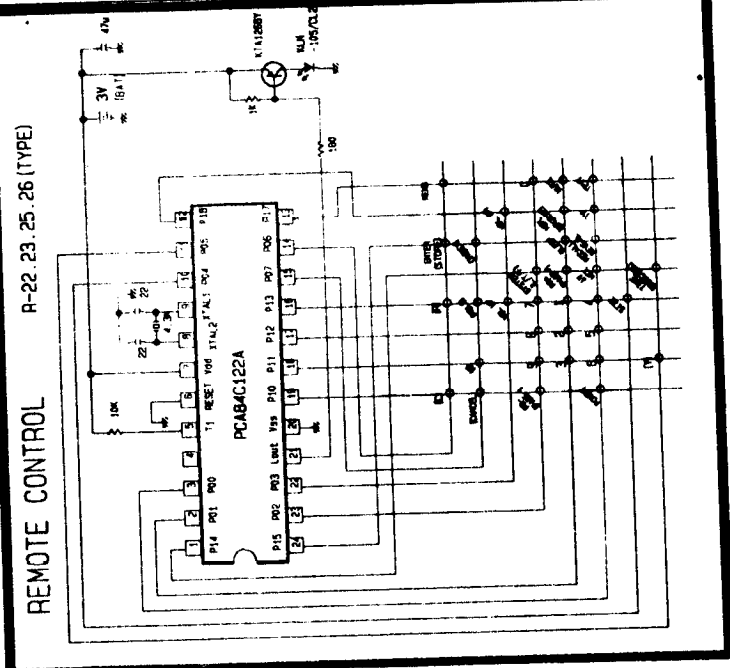
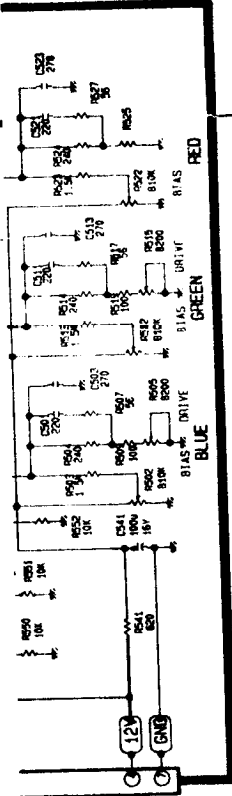
1501
TDA4661
1H DELAY LINE

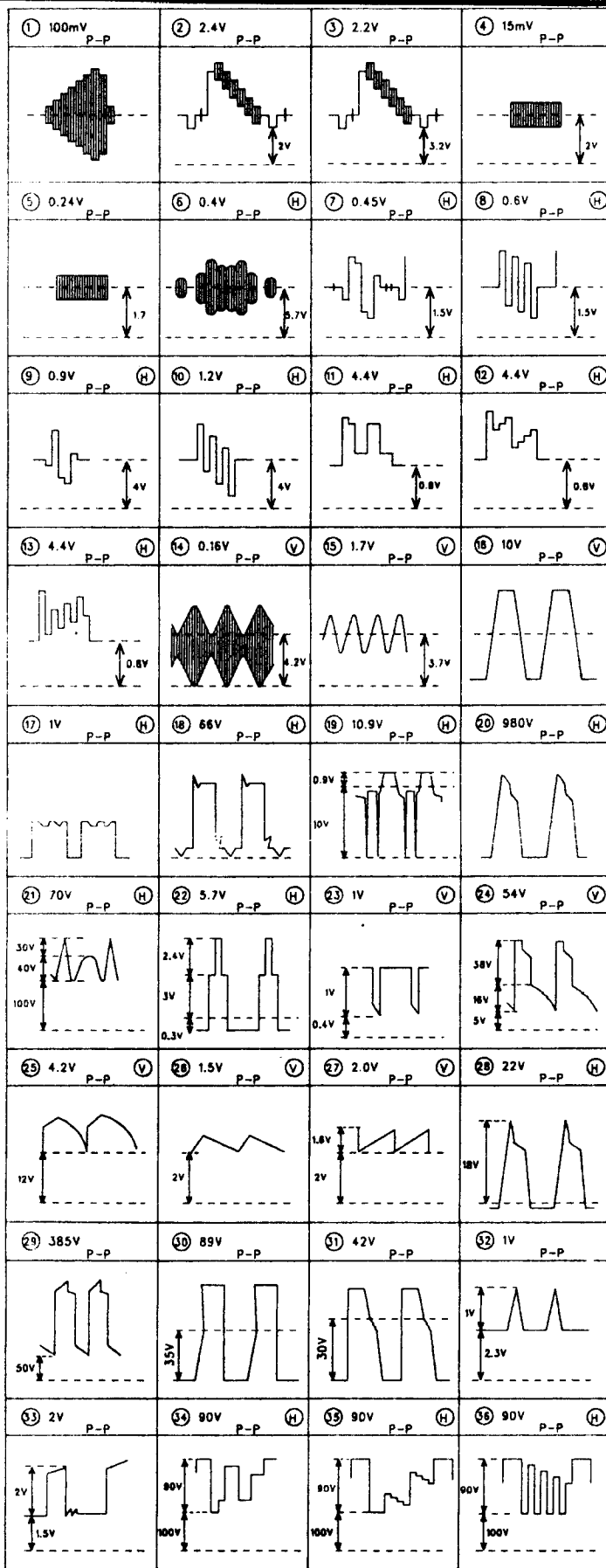
01 TUNER





DAEWOO CP-330





	(B)
	(C)
	(A)

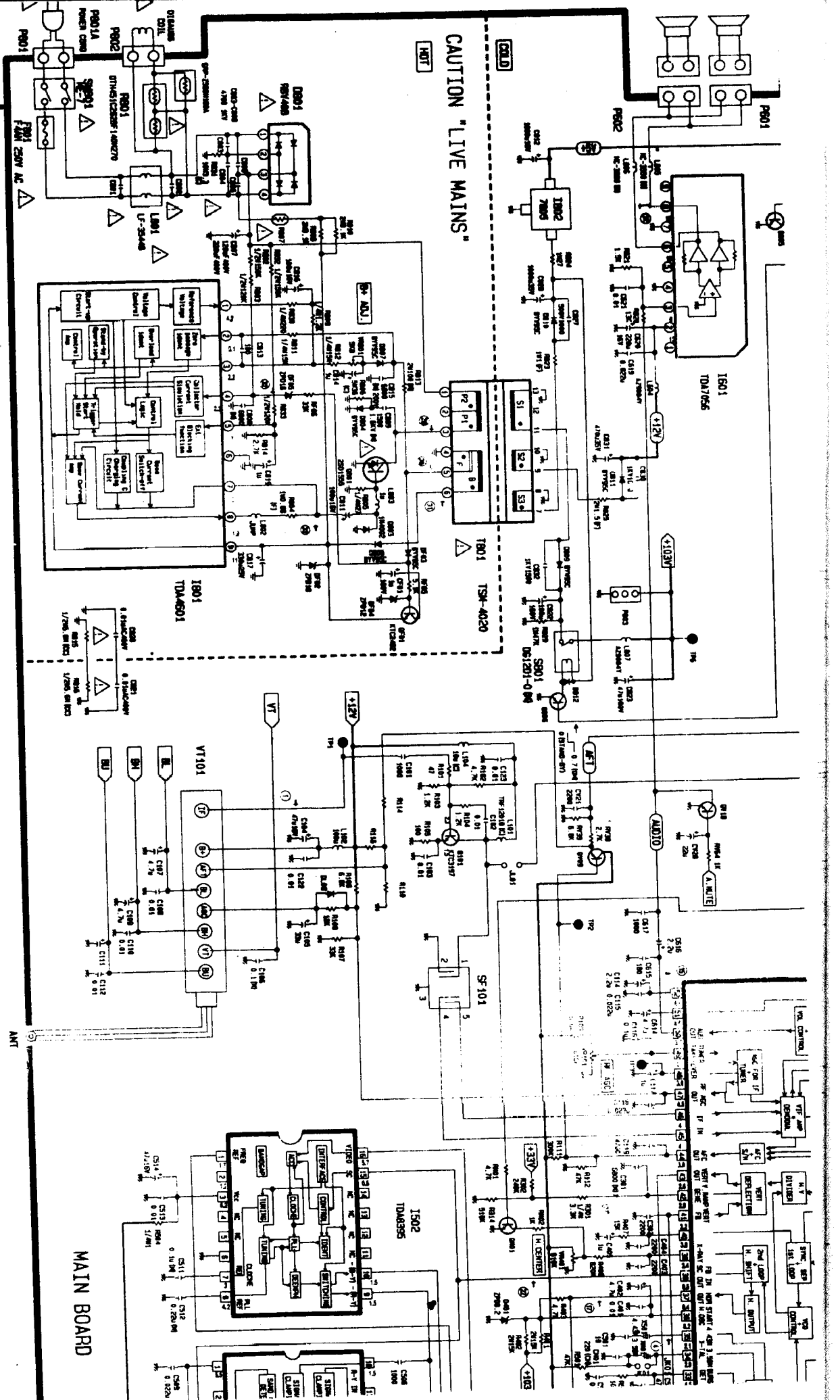
COIL

	(M)
	(CC)
	(F)
	(C)

RESISTOR

	(M)
	(NP)
	(T)
	(CH)
	(C)

CAPACITOR



CAUTION "LIVE MAINS"

COLD

HOT

MAIN BOARD

